

0CNP2-M40600EN

SPECIFICATIONS

MODEL			Y K 2 0 2	Y K 2 8 2	NOTE	
ENGINE	MODEL TYPE		YANMAR GE20 SV, 4CYCLE GASOLINE 1 - 52 x 37 78 TIC 2.0/4200 0.33 URETHANE FORMED ELEMENT 1.0		SV:Side Valve WITH SLEEVE TIC:Transistor Ignition Control SYSTEM	
	BORE x STROKE	mm				
	DISPLACEMENT	CC				
	IGNITION SYTEM					
	OUTPUT (MAX.)	ps/rpm				
	OIL CAPACITY	ℓ				
	AIR CLEANER					
	FUEL TANK CAPA.	ℓ				
DIMENSION	OVERALL LENGTH	mm	1080		WITHOUT FRONT HITCH & STAND	
	OVERALL WIDTH	mm	610			
	OVERALL HEIGHT	mm	985(from axle center)			
WEIGHT (DRY) W/O AXLE ROTOR		kg	27.5	28.5		
SPEED SHIFTING	SPEEDS		F1	F1,R1		
	SYSTEM	MAIN SHAFT	-	SLIDING GEAR		
AXLE (AT RATED ENGINE SPEED)	FORWARD SPEED	1ST	rpm	119.0	105.0	
	REVERSE SPEED	1ST	rpm	-	58.5	
	SHAPE OF AXLE		mm	ROUND ϕ 20		
MAIN CLUTCH			DEADMAN LEVER		BELT TENSION CLUTCH	
SIDE CLUTCH			NO			
ADJUSTING AREA OF HANDLE	HORIZONTAL		NO		WITH HANDLE STOPPER	
	VERTICAL		YES			
TRANSMISSION OIL CAPACITY		ℓ	1.0			

PAINTING COLOR

SECTION	PAINTING COLOR	COLOR SPRAY	MAIN PARTS	COLOR CODE (FIGURE)
Main body	YANMAR Red 1	TOR-904000001	Handle CMP	50
Main body	YANMAR White	TOR-902500000	Fender	14
Main body	YANMAR Plan silver M	TOR-903100001	Engine frame CMP	19

Please surely use **YANMAR** Genuine color spray any **YANMAR** agricultural machines.

Given painting color may be altered for improvement, etc. without prior notice.

Contents

Fig. No. Fig. Name

PULLEY & TENSION SECTION

1. ENGINE MOUNTING
2. ENGINE PULLEY
3. MAIN PULLEY
4. TENSION CLUTCH

TRANSMISSION UNIT

5. TRANSMISSION CASE
6. MAIN SHAFT
7. COUNTER & REDUCTION SHAFTS
8. AXLE
9. CHANGE

ROTOR UNIT

10. EXTENSION FENDER & AXEL ROTOR

HANDLE SECTION

11. HANDLE
12. TRAVELING CONTROL LEVER

ENGINE FRAME SECTION

13. ENGINE FRAME
14. HITCH & RESISTANCE BAR
15. BELT COVER
16. FUEL TANK

Fig. No. Fig. Name

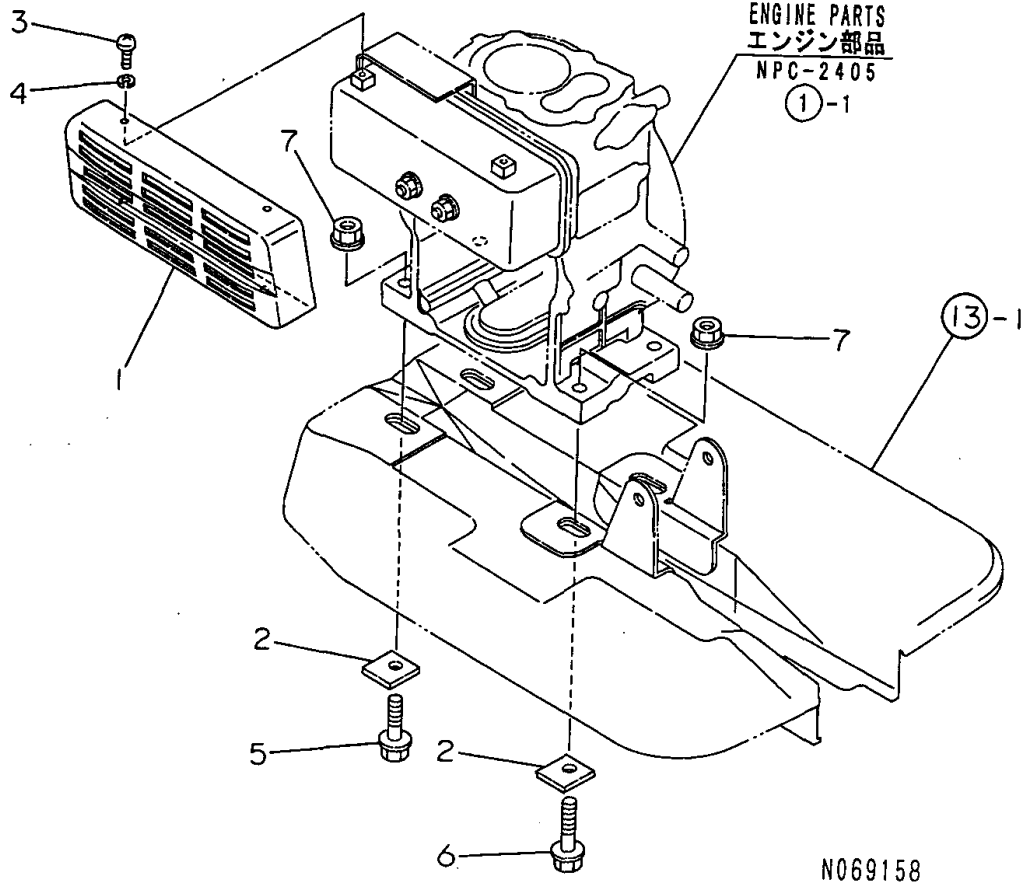
17. BONNET

LABELS & ACCESSORIES SECTION

18. ELECTRICAL PARTS & TOOLS
19. LABELS
20. TIRE(ADDED GROUP)

Fig.1. ENGINE MOUNTING

1. ENGINE MOUNTING



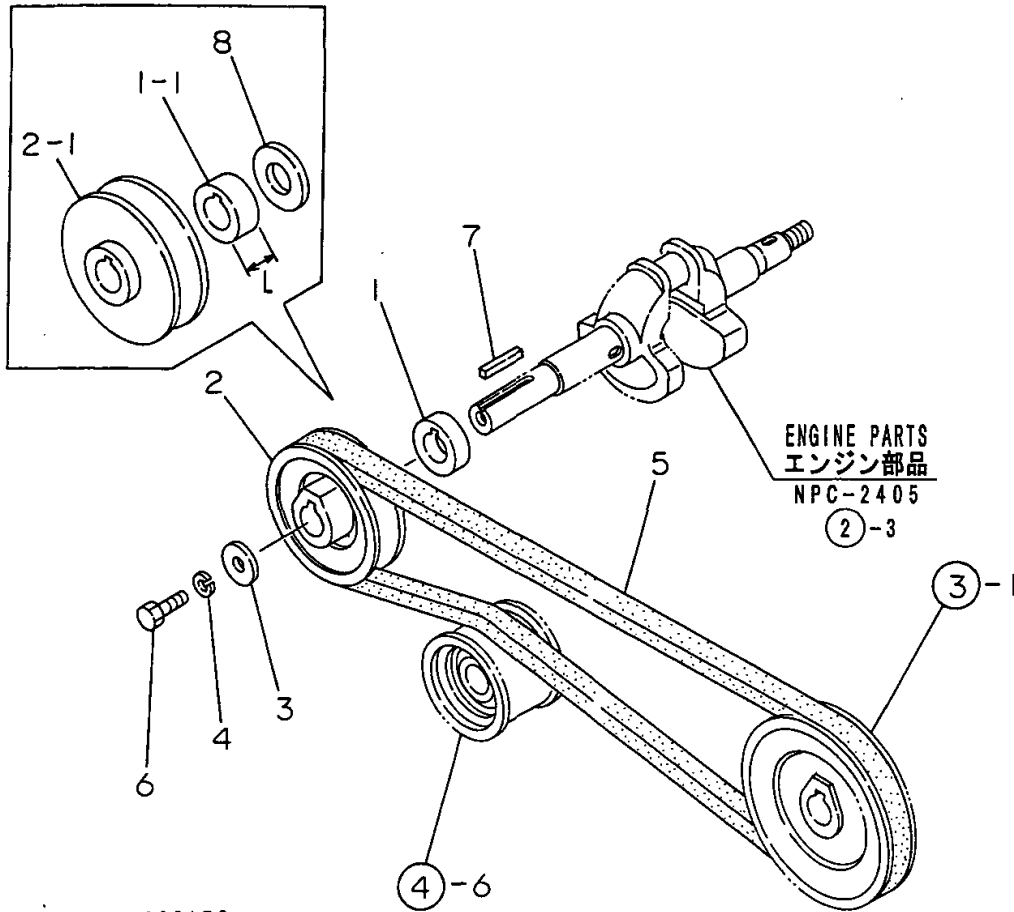
(A)=YK202(C,FL)
 (B)=YK282(C)
 (C)=

(D)=
 (E)=
 (F)=

No.	Lev.	Parts No.	Description	Q'ty						I	R
				(A)	(B)	(C)	(D)	(E)	(F)		
1	1	1A1760-10400	COVER A,MUFFLER	1	1						
2	1	1A1750-63960	WASHER,ENGINE MTG.	4	4						
3	1	1A1750-90010	SCREW 5X8,PAN HD.	4	4						
4	1	1A1750-90110	WASHER 5,SPRING	4	4						
5	1	26107-080302	BOLT M 8X 30 PLATED	2	2						
6	1	26107-080352	BOLT M 8X 35 PLATED	2	2						
7	1	26367-080002	NUT, M8	4	4						

Fig.2. ENGINE PULLEY

2. ENGINE PULLEY



N069159

(A)=YK202(C,FL)
(B)=YK282(C)
(C)=

(D)=
(E)=
(F)=

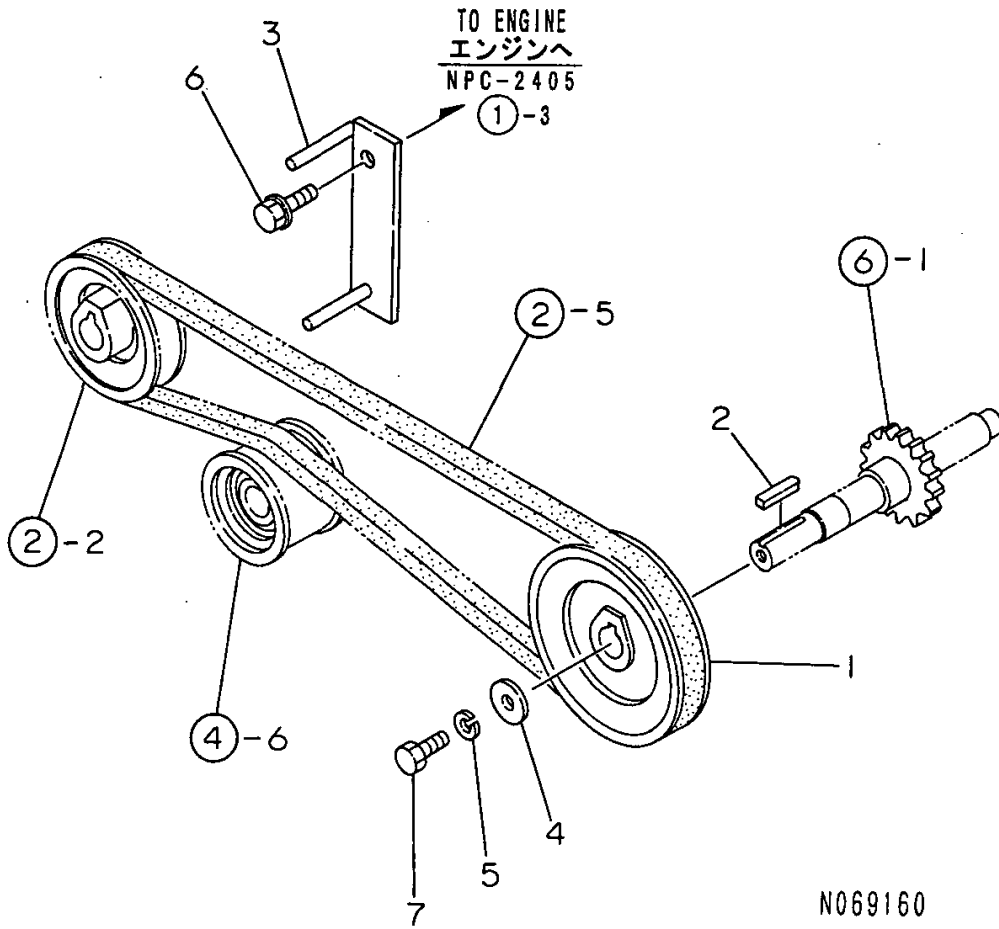
No.	Lev.	Parts No.	Description	Q'ty						I	R
				(A)	(B)	(C)	(D)	(E)	(F)		
1	1	1A1750-10030	COLLAR,PULLEY	1	1						
1-1	1	1A2190-12110	COLLAR,PULLEY	1	1						S 1
		(A=F003787) (B=F000661)									
2	1	1A1750-10510	V-PULLEY 65-A1	1	1						
2-1	1	1A1750-10520	V-PULLEY 65-A1	1	1						S
		(A=F003787) (B=F000661)									
3	1	22157-060000	WASHER, 6	1	1						
3-1	1	1C6020-41060	WASHER, 6.5X20X2.3	1	1						N
		(A=F000101) (B=F000101)									
4	1	22217-060000	WASHER, SPRING 6	1	1						
5	1	25122-002900	V-BELT, A29	1	1						
6	1	26117-060162	BOLT M 6X 16 PLATED	1	1						
7	1	22550-040300	KEY 4X30	1	1						
8	1	22137-140000	WASHER, 14	1	1						W
		(A=F003787) (B=F000661)									

Remarks

(1)L= REFER.NO.1 8.5M/M,1-1 11.9M/M.

Fig.3. MAIN PULLEY

3. MAIN PULLEY



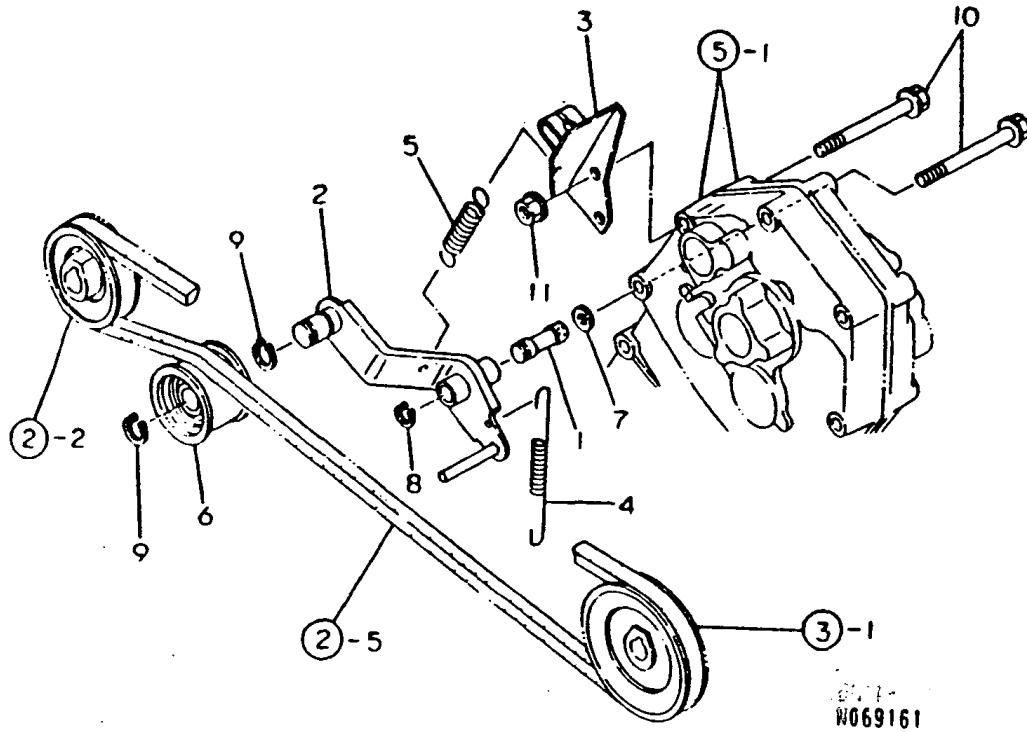
(A)=YK202(C,FL)
(B)=YK282(C)
(C)=

(D)=
(E)=
(F)=

No.	Lev.	Parts No.	Description	Q'ty						I	R
				(A)	(B)	(C)	(D)	(E)	(F)		
1	1	1A1750-10000	PULLEY,MAIN SHAFT	1	1						
1-1	1	1A2190-13300	V-PULLEY 90A	1	1						R
		(A=F003787) (B=F000661)									
2	1	1A1750-10040	KEY 4X4,MAIN	1	1						
3	1	1A1750-10700	RETAINER COMP.,BELT	1	1						
4	1	22157-060000	WASHER, 6	1	1						
5	1	22217-060000	WASHER, SPRING 6	1	1						
6	1	26107-080122	BOLT M 8X 12 PLATED	1	1						
7	1	26117-060162	BOLT M 6X 16 PLATED	1	1						

Fig.4. TENSION CLUTCH

4. TENSION CLUTCH



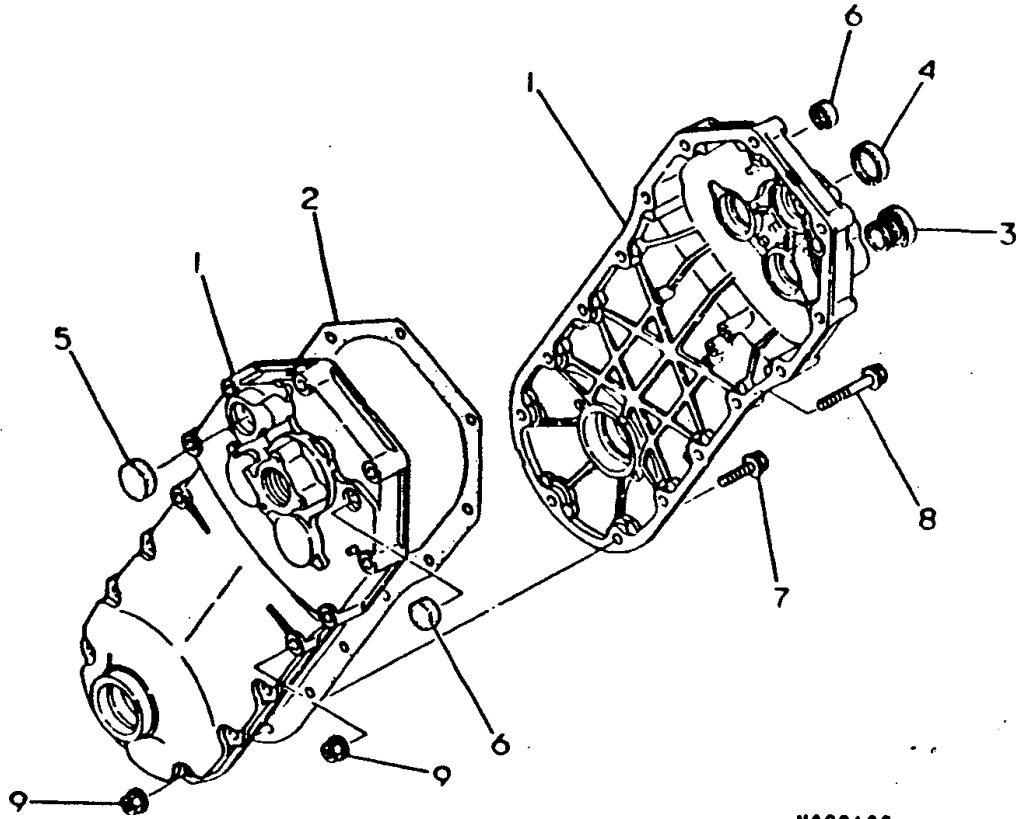
(A)=YK202(C,FL)
 (B)=YK282(C)
 (C)=

(D)=
 (E)=
 (F)=

No.	Lev.	Parts No.	Description	Q'ty						I	R
				(A)	(B)	(C)	(D)	(E)	(F)		
1	1	1A1750-10180	NUT,TENSION	1	1						
2	1	1A1750-10550	ARM COMPL,TENSION	1	1						
3	1	1A1750-10600	HOLDER,CABLE	1	1						
4	1	1A1750-10620	SPRING	1	1						
5	1	1A1400-16000	SPRING 17.2X59	1	1						
6	1	1E6250-51790	ROLLER,TENSION 45X20	1	1						
7	1	22137-080000	WASHER, 8	1	1						
8	1	22242-000120	RING, 12	1	1						
9	1	22242-000150	RING, 15	2	2						
10	1	26107-080702	BOLT M 8X 70 PLATED	2	2						
11	1	26367-080002	NUT, M8	1	1						

Fig.5. TRANSMISSION CASE

5. TRANSMISSION CASE



N069162

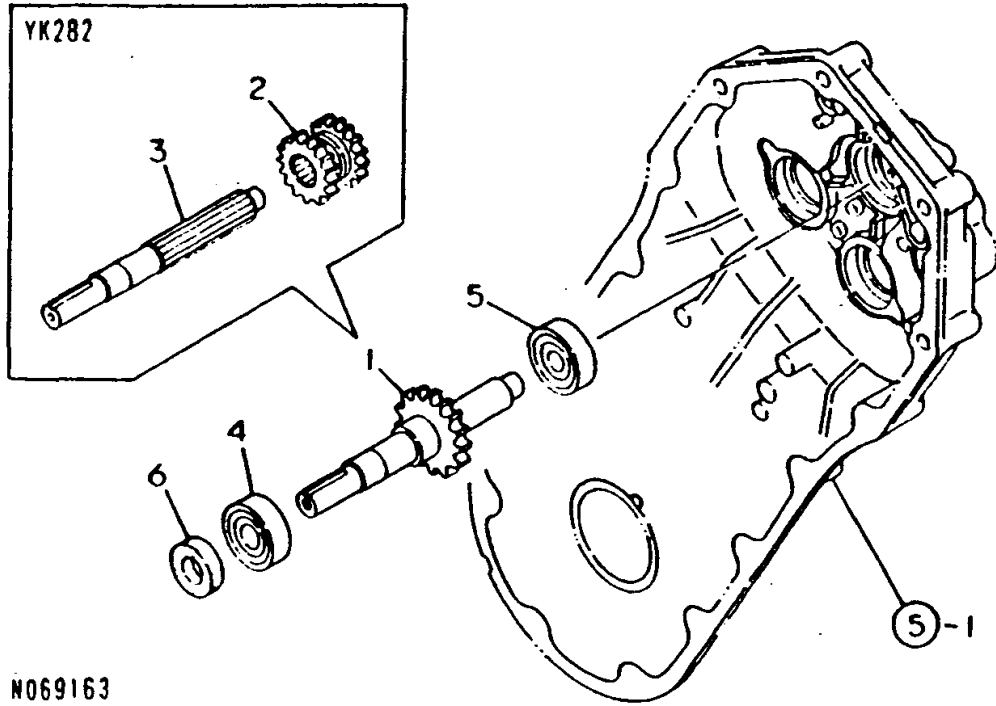
(A)=YK202(C,FL)
(B)=YK282(C)
(C)=

(D)=
(E)=
(F)=

No.	Lev.	Parts No.	Description	Q'ty						I	R
				(A)	(B)	(C)	(D)	(E)	(F)		
1	1	1A1750-20010	CASE,TRANSMISSION	2	2						
2	1	1A1750-20030	PACKING,TRANSM CASE	1	1						
3	1	1A1470-20090	CAP 35,OIL FILLER	1	1						
4	1	1A1750-20410	CAP 30X5,SEAL	1	1						
5	1	1A1750-20421	CAP 26X6,SEAL	1	1						
6	1	1A1750-20431	CAP 18X7,SEAL	2	1						
7	1	26107-080252	BOLT M 8X 25 PLATED	7	7						
8	1	26107-080452	BOLT M 8X 45 PLATED	1	1						
9	1	26367-080002	NUT, M8	8	8						

Fig.6. MAIN SHAFT

6. MAIN SHAFT



N069163

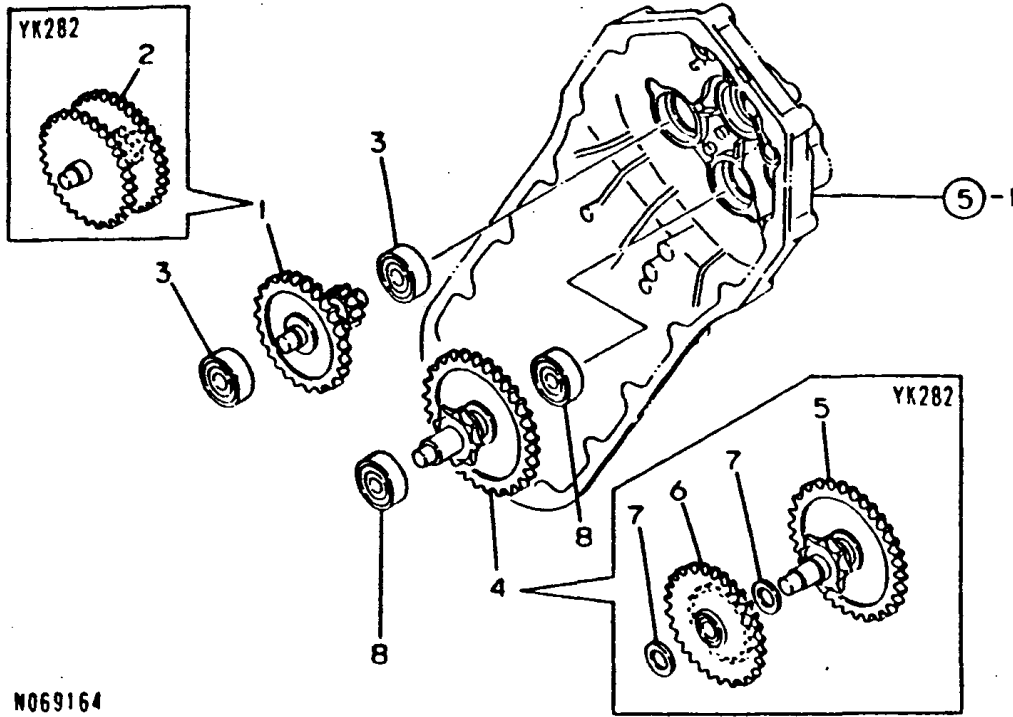
(A)=YK202(C,FL)
(B)=YK282(C)
(C)=

(D)=
(E)=
(F)=

No.	Lev.	Parts No.	Description	Qty						I	R
				(A)	(B)	(C)	(D)	(E)	(F)		
1	1	1A1750-20051	SHAFT,MAIN	1							
2	1	1A1860-20060	GEAR 16		1						
3	1	1A1750-21051	SHAFT,MAIN			1					
4	1	24101-060024	BEARING, BALL 6002	1	1						
5	1	24101-062014	BEARING, BALL 6201	1	1						
6	1	24421-152507	SEAL, OIL TC152507	1	1						

Fig.7. COUNTER & REDUCTION SHAFTS

7. COUNTER & REDUCTION SHAFTS



N069164

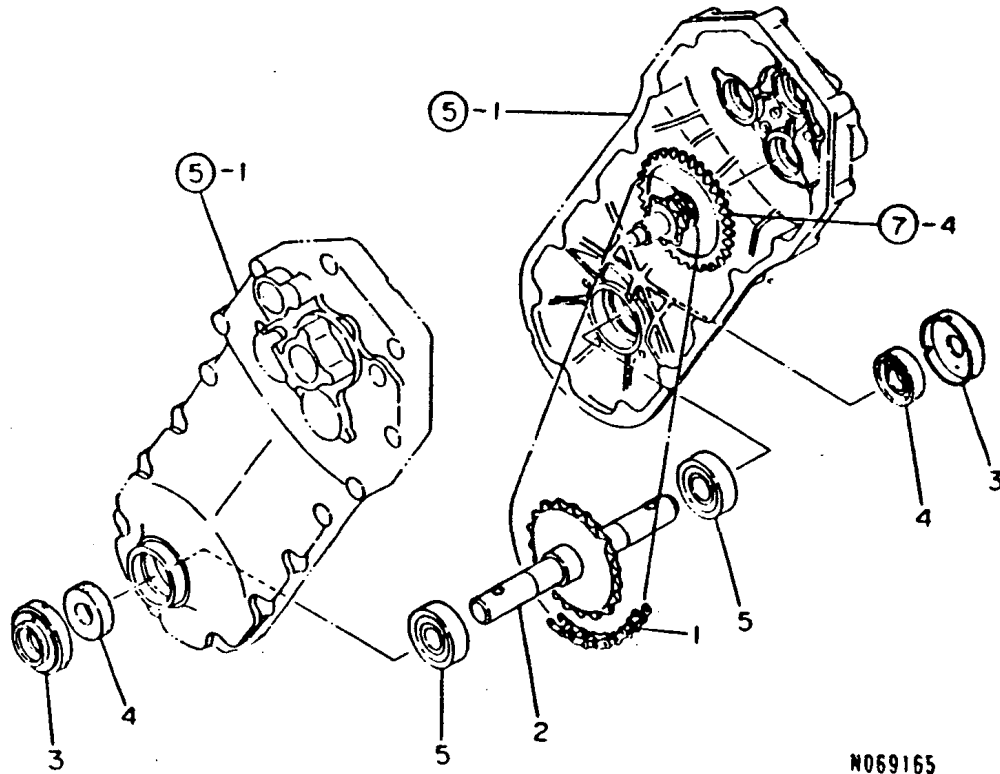
(A)=YK202(C,FL)
(B)=YK282(C)
(C)=

(D)=
(E)=
(F)=

No.	Lev.	Parts No.	Description	Q'ty						I	R
				(A)	(B)	(C)	(D)	(E)	(F)		
1	1	1A1750-20100	SHAFT COMPL,MAIN	1							
2	1	1A1860-20101	SHAFT COMP.,COUNTER		1						
3	1	24101-062014	BEARING, BALL 6201	2	2						
4	1	1A1750-20150	SHAFT COMPL,FINAL	1							
4-1	1	1A2190-23300 (A=F003467)	END-SHAFT	1							N
5	1	1A1860-20151	SHAFT COMP.,FINAL		1						
6	1	1A1860-20251	GEAR 39X19 COMPL.		1						
7	1	1A1860-20280	SHIM 15.22.1.0		2						
8	1	24101-062014	BEARING, BALL 6201	2	2						

Fig.8. AXLE

8. AXLE



№069165

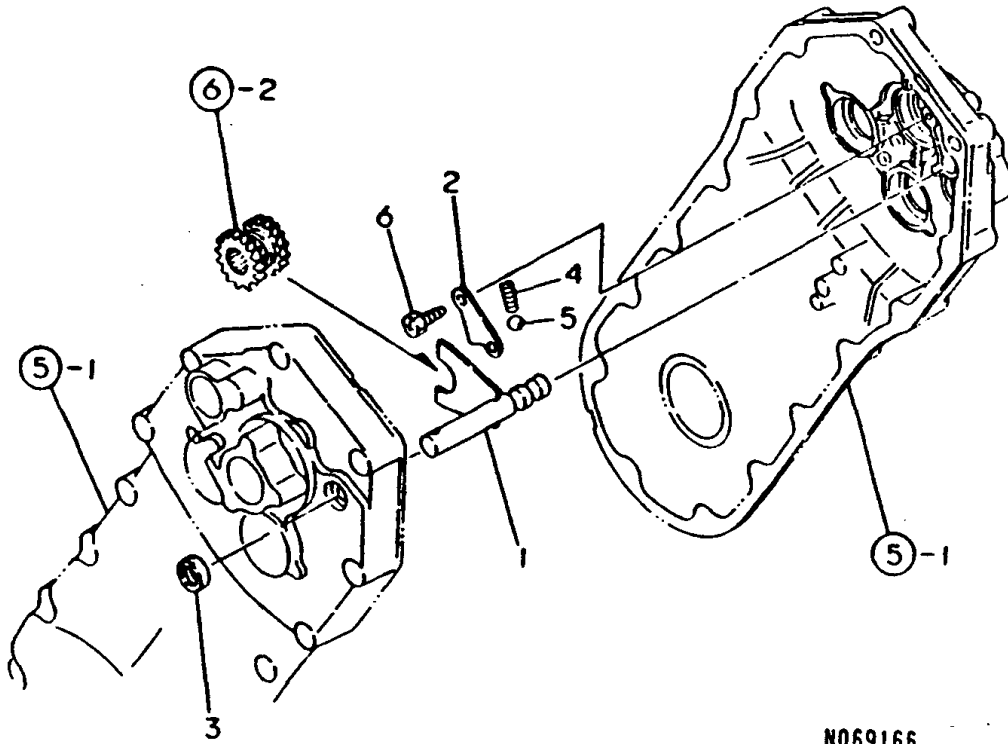
(A)=YK202(C,FL)
(B)=YK282(C)
(C)=

(D)=
(E)=
(F)=

No.	Lev.	Parts No.	Description	Q'ty						I	R
				(A)	(B)	(C)	(D)	(E)	(F)		
1	1	1A1750-20180	CHAIN 12.7X56,ROLLER	1	1						
2	1	1A1750-20201	AXLE COMPL.	1	1						
3	1	1A1750-20440	COVER.COMP,AXLE BOSS	2	2						
4	1	1A1750-20491	OIL SEAL 20 40 10	2	2						
5	1	24101-062044	BEARING, BALL 6204	2	2						

Fig.9. CHANGE

9. CHANGE



N069166

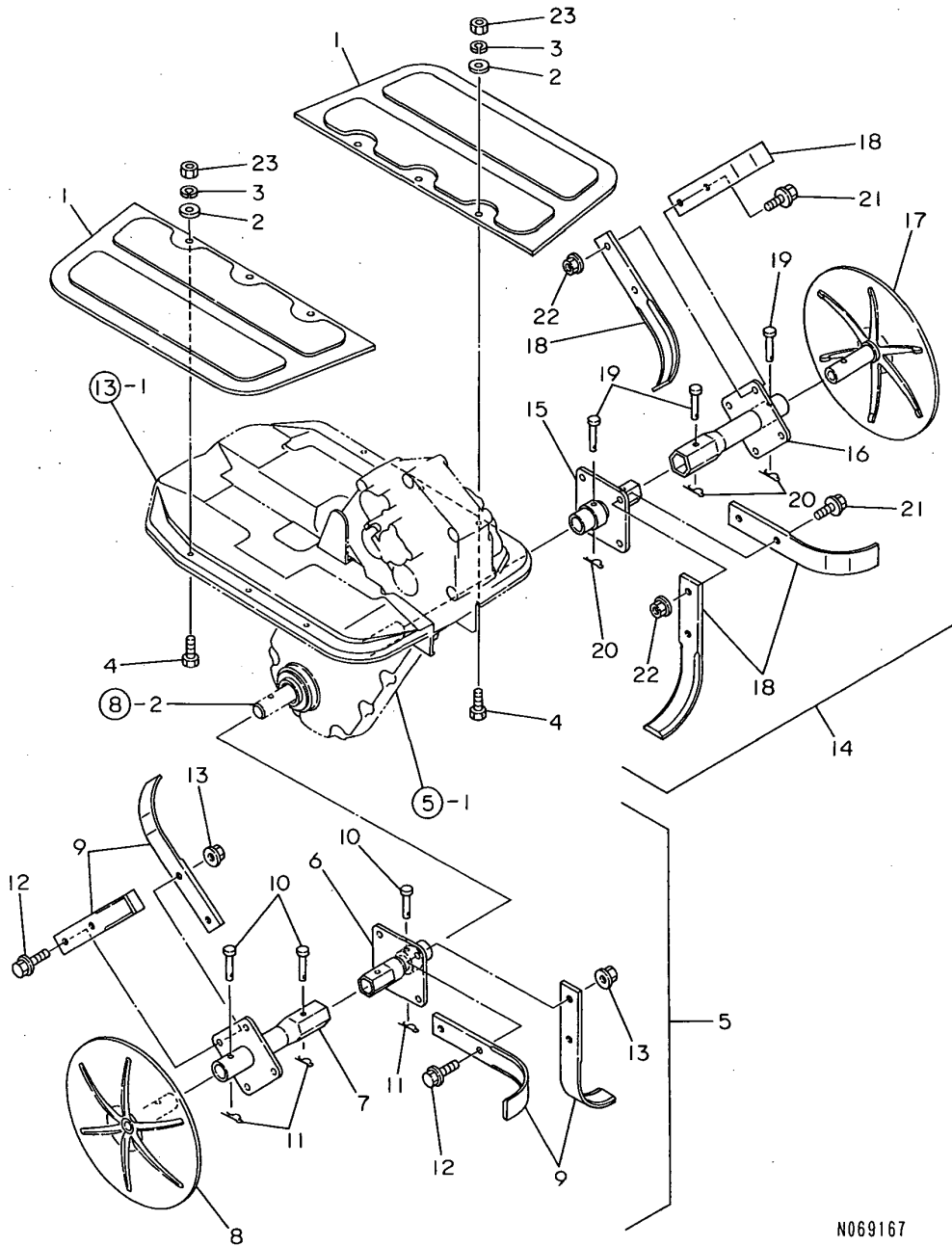
(A)=YK202(C,FL)
(B)=YK282(C)
(C)=

(D)=
(E)=
(F)=

No.	Lev.	Parts No.	Description	Q'ty						I	R
				(A)	(B)	(C)	(D)	(E)	(F)		
1	1	1A1750-21330	FORK COMP.CHANGE		1						
2	1	1A1750-21350	KEEP PLATE,BALL		1						
3	1	1A1104-28230	OIL SEAL 12184		1						
4	1	1E6150-56040	SPRING, FORK		1						
5	1	24190-100001	BALL, STEEL 5/16		1						
6	1	26476-060142	SCREW, TAPPING M6X14		2						

Fig.10. EXTENSION FENDER & AXEL ROTOR

10. EXTENSION FENDER & AXEL ROTOR



(A)=YK202(C,FL)
(B)=YK282(C)
(C)=

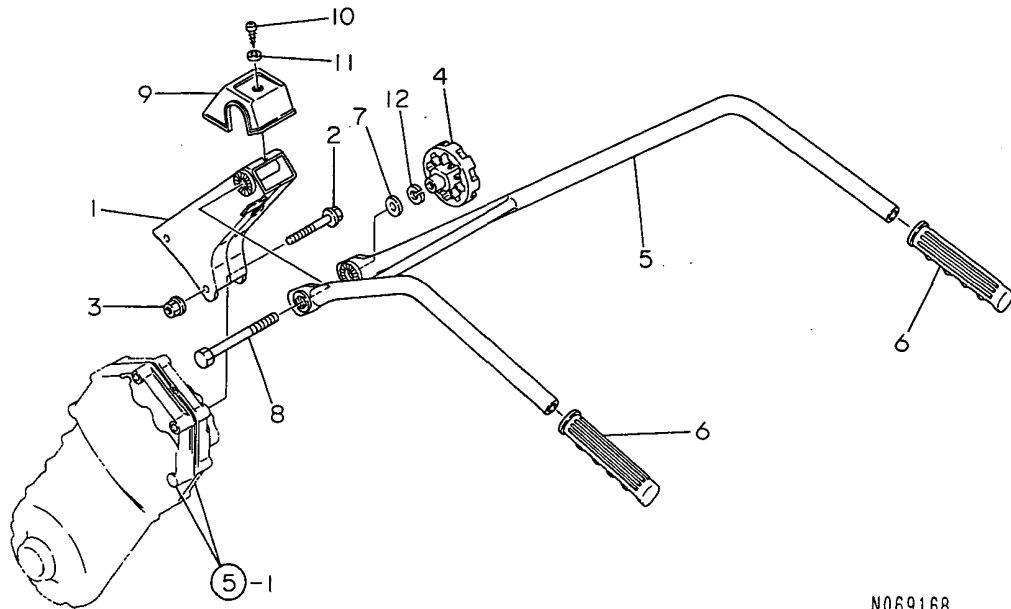
(D)=
(E)=
(F)=

No.	Lev.	Parts No.	Description	Q'ty						I	R
				(A)	(B)	(C)	(D)	(E)	(F)		
1	1	1A1750-32000	EXTENSION FENDER	2	2						
2	1	22157-060000	WASHER, 6	6	6						
3	1	22217-060000	WASHER, SPRING 6	6	6						
4	1	26117-060122	BOLT M 6X 12 PLATED	6	6						
5	1	1A1750-30000	ROTOR L COMPL.	1	1						
6	2	1A1750-30100	SHAFT COMPL.,ROTOR	1	1						
7	2	1A1760-30200	SHAFT COMPL.,EXTENS.	1	1						
8	2	1A1760-30300	DISC COMPL.	1	1						
9	2	1A1540-43310	TAIN,ROTOR	8	8						
10	2	1A1540-46010	PIN 8X35,FLAT HEAD	3	3						
11	2	1A1540-46020	PIN 8,SNAP	3	3						
12	2	26107-080202	BOLT M 8X 20 PLATED	8	8						
13	2	26367-080002	NUT, M8	8	8						
14	1	1A1750-30050	ROTOR R COMPL.	1	1						
15	2	1A1750-30100	SHAFT COMPL.,ROTOR	1	1						
16	2	1A1760-30200	SHAFT COMPL.,EXTENS.	1	1						
17	2	1A1760-30300	DISC COMPL.	1	1						
18	2	1A1540-43310	TAIN,ROTOR	8	8						
19	2	1A1540-46010	PIN 8X35,FLAT HEAD	3	3						
20	2	1A1540-46020	PIN 8,SNAP	3	3						
21	2	26107-080202	BOLT M 8X 20 PLATED	8	8						
22	2	26367-080002	NUT, M8	8	8						
23	1	26717-060002	NUT, M6	6	6						

N069167

Fig.11. HANDLE

11. HANDLE



N069168

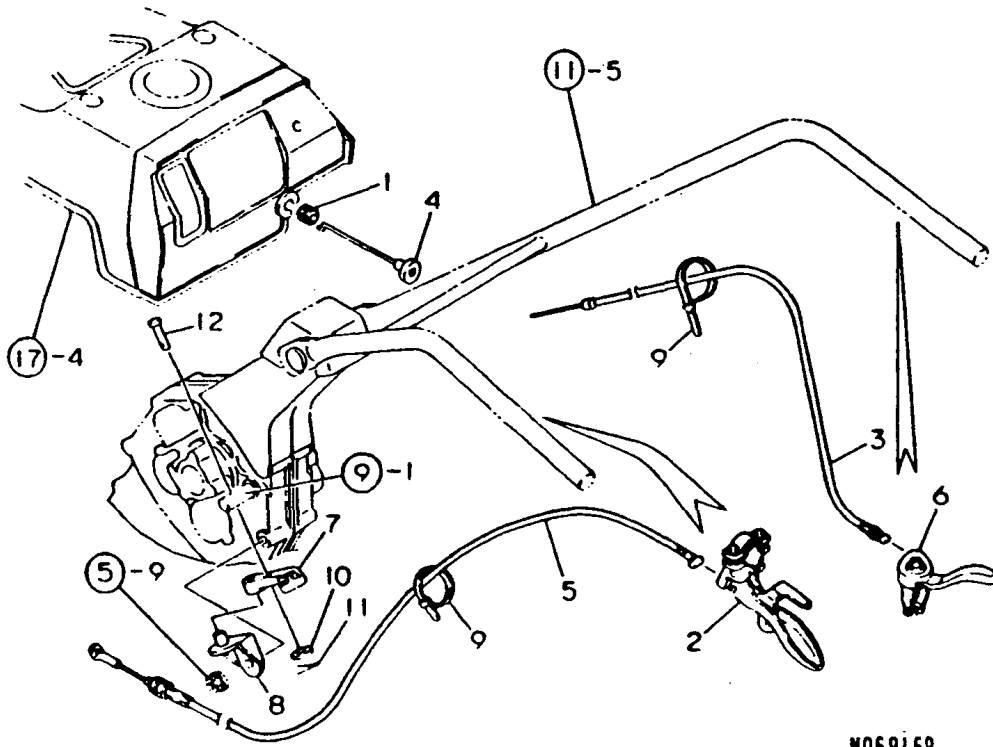
(A)=YK202(C,FL)
(B)=YK282(C)
(C)=

(D)=
(E)=
(F)=

No.	Lev.	Parts No.	Description	Q'ty						I	R
				(A)	(B)	(C)	(D)	(E)	(F)		
1	1	1A1750-41500	FRAME COMP., HANDLE	1	1						
1-1	1	1A1750-41050	FRAME COMP., HANDLE	1	1						N
		(A=F000101)	(B=F000101)								
2	1	26107-080602	BOLT M 8X 60 PLATED	2	2						
3	1	26367-080002	NUT, M8	2	2						
4	1	1A1750-40210	KNOB 10,CLAMPING	1	1						
5	1	1A1750-40400	HANDLE.COMPL.	1	1						
6	1	1C6080-51310	GRIP, HANDLE	2	2						
7	1	22137-100000	WASHER, 10	1	1						
8	1	26157-101002	BOLT, M10X100 PLATED	1	1						
9	1	1A1750-40200	COVER,HANDLE FRAME	1	1						
10	1	1A1750-90060	SCREW 5X16,TAPPING	1	1						
11	1	1A1750-90150	WASHER 5,PLAIN	1	1						
12	1	22217-100000	WASHER, SPRING 10	1	1						W
		(A=F000395)	(B=F000341)								

Fig.12. TRAVELING CONTROL LEVER

12. TRAVELING CONTROL LEVER



N069169

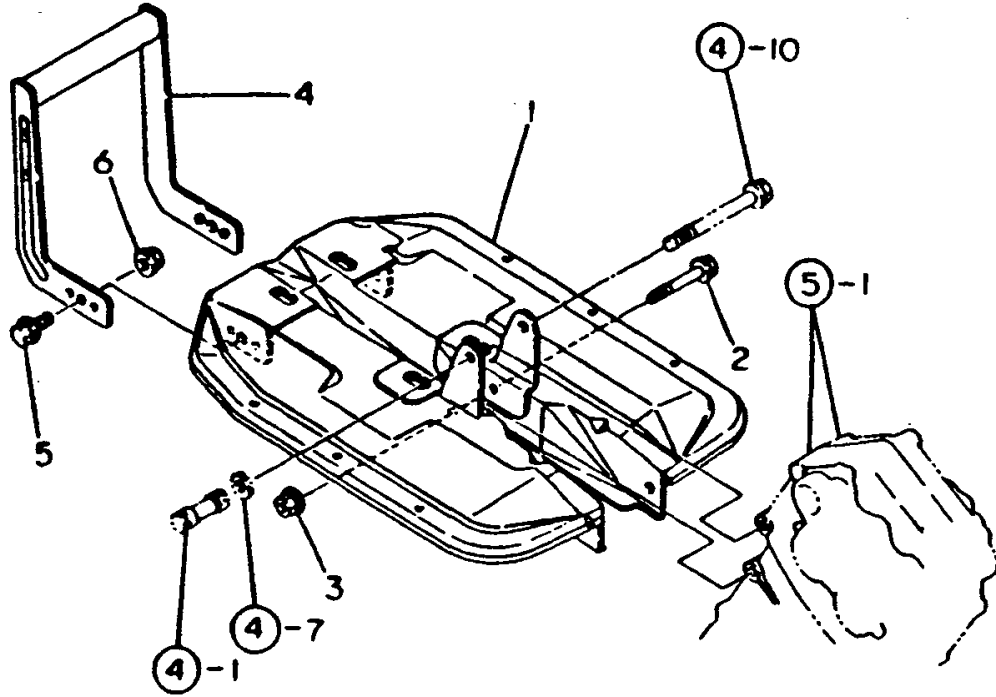
(A)=YK202(C,FL)
(B)=YK282(C)
(C)=

(D)=
(E)=
(F)=

No.	Lev.	Parts No.	Description	Q'ty						I	R
				(A)	(B)	(C)	(D)	(E)	(F)		
1	1	1A1750-40490	GROMMET	1	1						
2	1	1A1860-40500	LEVER COMP,MN.CLUTCH	1	1						
3	1	1A1750-40900	WIRE,ACCELERATOR	1	1						
4	1	1A1750-40910	LEVER C,CHOKE	1	1						
5	1	1A1750-40920	WIRE,MAIN CLUTCH	1	1						
6	1	1A1750-43550	LEVER COMPL.,ACCEL	1	1						
6-1	1	1A1540-57800	LEVER,THROTTLE	1	1						N
		(A=F000101) (B=F000101)									
7	1	1A1750-51100	LEVER,CHANGE		1						
8	1	1A1750-51150	FULCRUM COMP.,CHANGE		1						
9	1	1E6102-84970	BAND 140,WIRE LOCK	2	2						
10	1	22137-060000	WASHER, 6		1						
11	1	22417-200120	COTTER PIN 2.0X12		1						
12	1	22487-060260	PIN, H 6X 26		1						

Fig.13. ENGINE FRAME

13. ENGINE FRAME



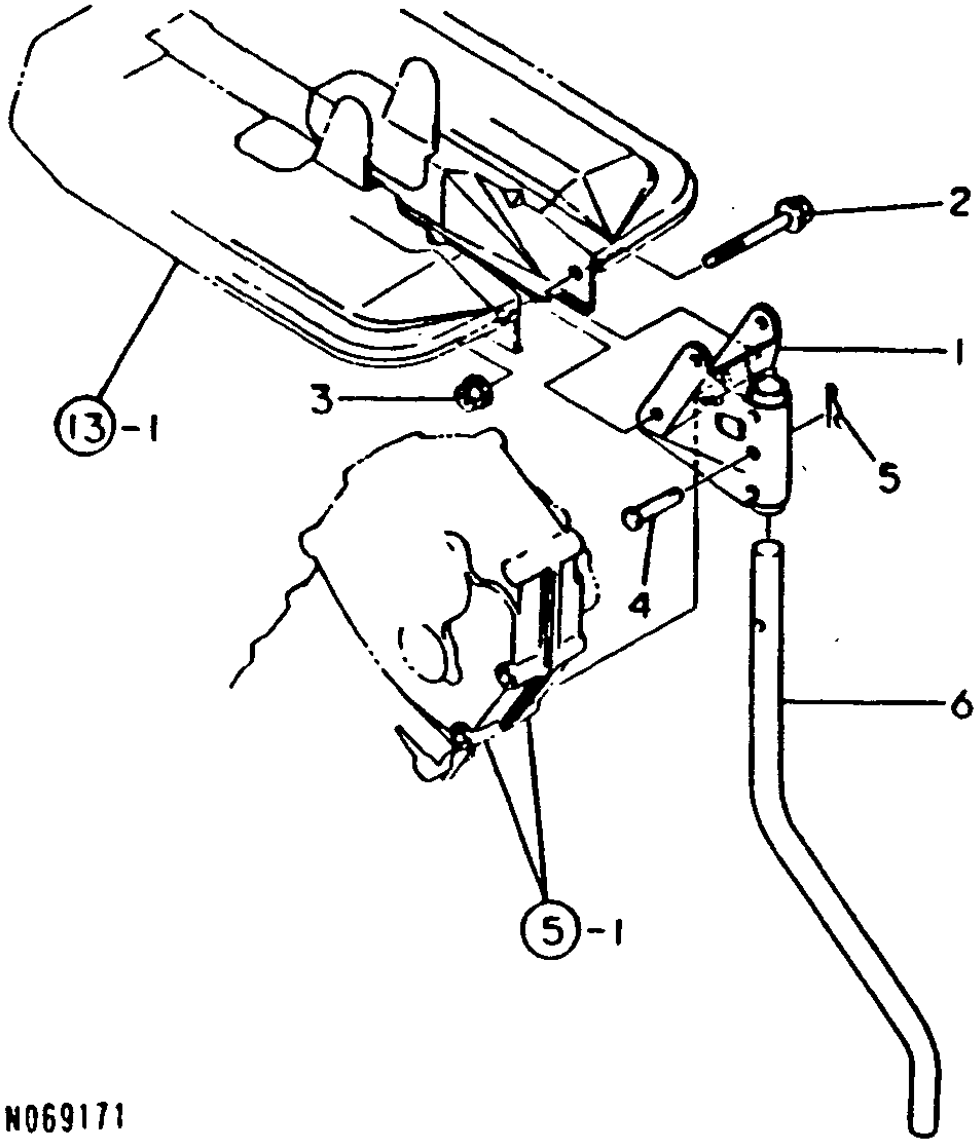
(A)=YK202(C,FL)
 (B)=YK282(C)
 (C)=

(D)=
 (E)=
 (F)=

No.	Lev.	Parts No.	Description	Q'ty						I	R
				(A)	(B)	(C)	(D)	(E)	(F)		
1	1	1A1750-63500	FRAME COMP.,ENGINE	1	1						
2	1	26107-080502	BOLT M 8X 50 PLATED	1	1						
3	1	26367-080002	NUT, M8	1	1						
4	1	1A1750-60800	BUMPER COMPL	1	1						
5	1	26107-080162	BOLT M 8X 16 PLATED	2	2						
6	1	26367-080002	NUT, M8	2	2						

Fig.14. HITCH & RESISTANCE BAR

14. HITCH & RESISTANCE BAR



(A)=YK202(C,FL)
 (B)=YK282(C)
 (C)=

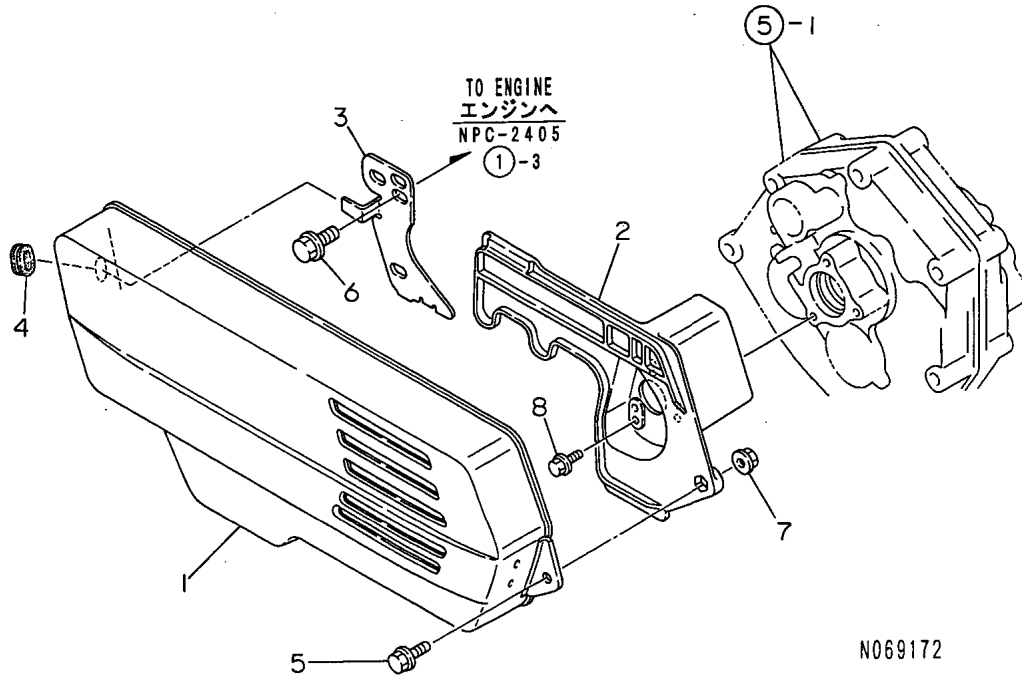
(D)=
 (E)=
 (F)=

No.	Lev.	Parts No.	Description	Q'ty						I	R
				(A)	(B)	(C)	(D)	(E)	(F)		
1	1	1A1750-60500	HITCH COMPL	1	1						
2	1	26107-080702	BOLT M 8X 70 PLATED	2	2						
3	1	26367-080002	NUT, M8	2	2						
4	1	1A1540-46010	PIN 8X35,FLAT HEAD	1	1						
5	1	1C6141-47970	PIN, SNAP 8	1	1						
6	1	1A1750-70000	BAR,RESISTANCE	1	1						

N069171

Fig.15. BELT COVER

15. BELT COVER



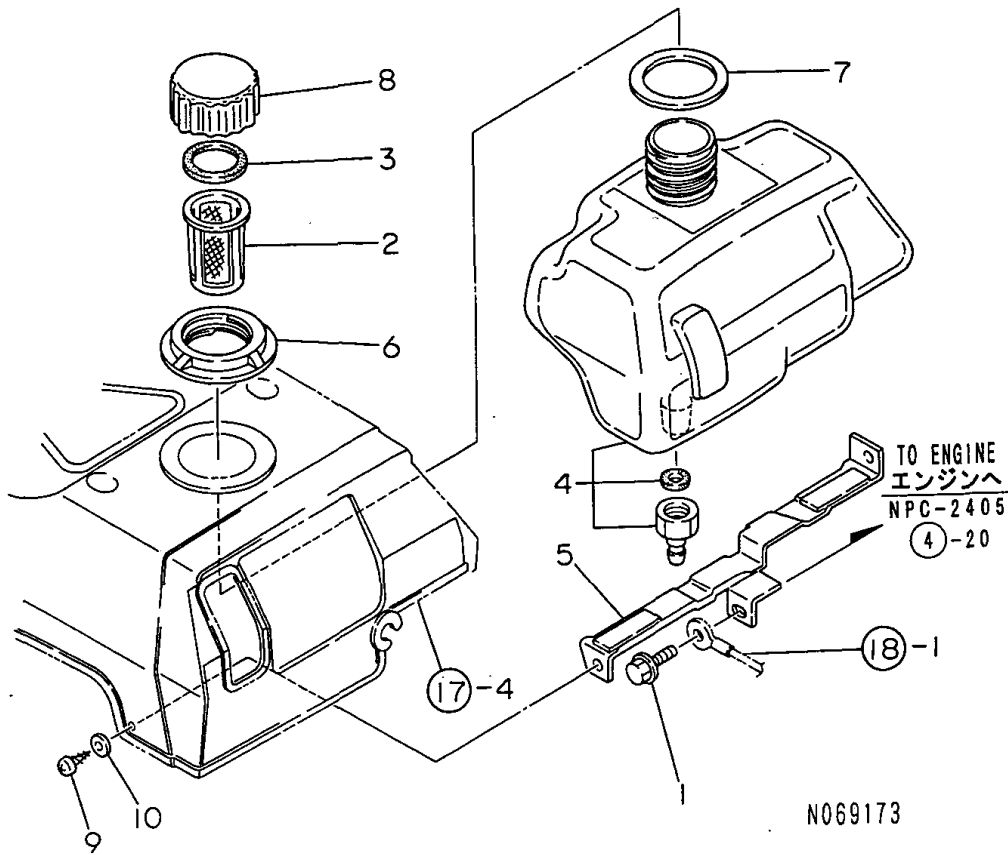
(A)=YK202(C,FL)
 (B)=YK282(C)
 (C)=

(D)=
 (E)=
 (F)=

No.	Lev.	Parts No.	Description	Q'ty						I	R
				(A)	(B)	(C)	(D)	(E)	(F)		
1	1	1A1750-10280	COVER COMPL,BEL	1	1						
2	1	1A1750-10350	COVER,BACK	1	1						
3	1	1A1750-10750	STAY,BELT COVER	1	1						
4	1	1H6020-60170	BUSH,RUBBER	1	1						
5	1	26107-060122	BOLT M 6X 12 PLATED	1	1						
6	1	26107-080122	BOLT M 8X 12 PLATED	2	2						
7	1	26367-060002	NUT, M6	1	1						
8	1	26476-060142	SCREW, TAPPING M6X14	3	3						

Fig.16. FUEL TANK

16. FUEL TANK



N069173

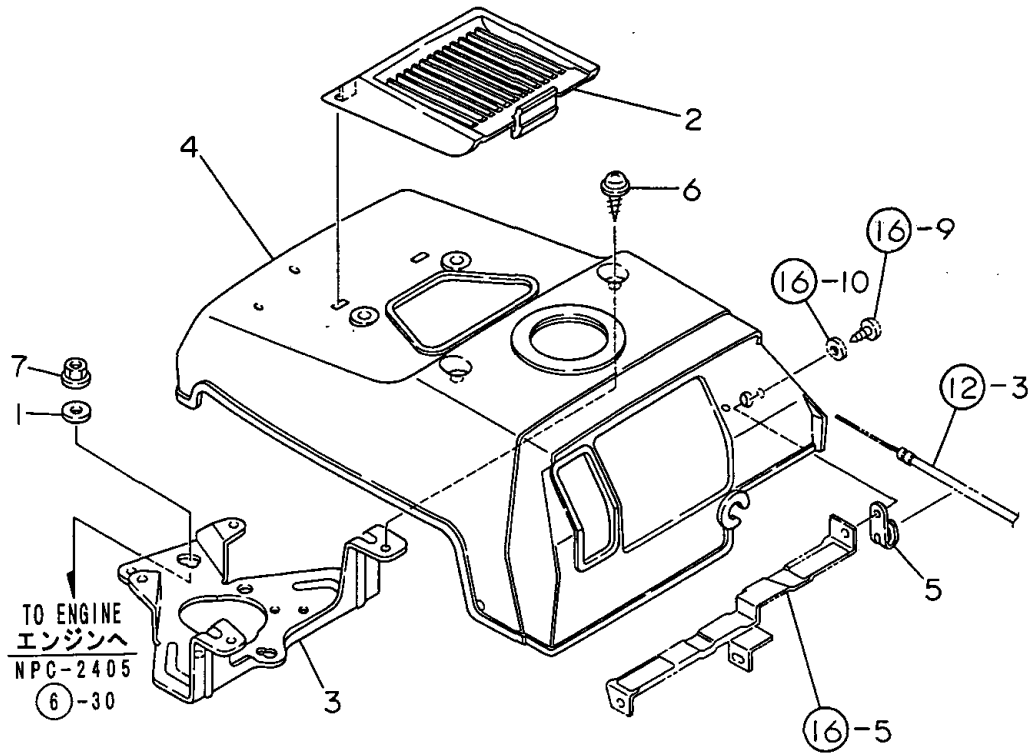
(A)=YK202(C,FL)
(B)=YK282(C)
(C)=

(D)=
(E)=
(F)=

No.	Lev.	Parts No.	Description	Q'ty						I	R
				(A)	(B)	(C)	(D)	(E)	(F)		
1	1	1D3030-22060	BOLT 6X12	1	1						
2	1	1D2042-41200	STRAINER,FUEL	1	1						
3	1	1D2040-48010	PACKING,FUEL TK.CAP	1	1						
4	1	1A1750-60291	FUEL TANK ASSY	1	1						
5	1	1A1750-60850	BRACKET,FUEL TK.MTG.	1	1						
6	1	1A1540-62110	RING,MOUNTING	1	1						
7	1	1A1540-62140	CUSHION,TANK	1	1						
8	1	1A1540-62170	CAP,FUEL TANK	1	1						
9	1	1A1750-90050	SCREW 5X10,TAPPING	2	2						
10	1	1A1750-90150	WASHER 5,PLAIN	2	2						

Fig.17. BONNET

17. BONNET



TO ENGINE
エンジンへ
NPC-2405
⑥-30

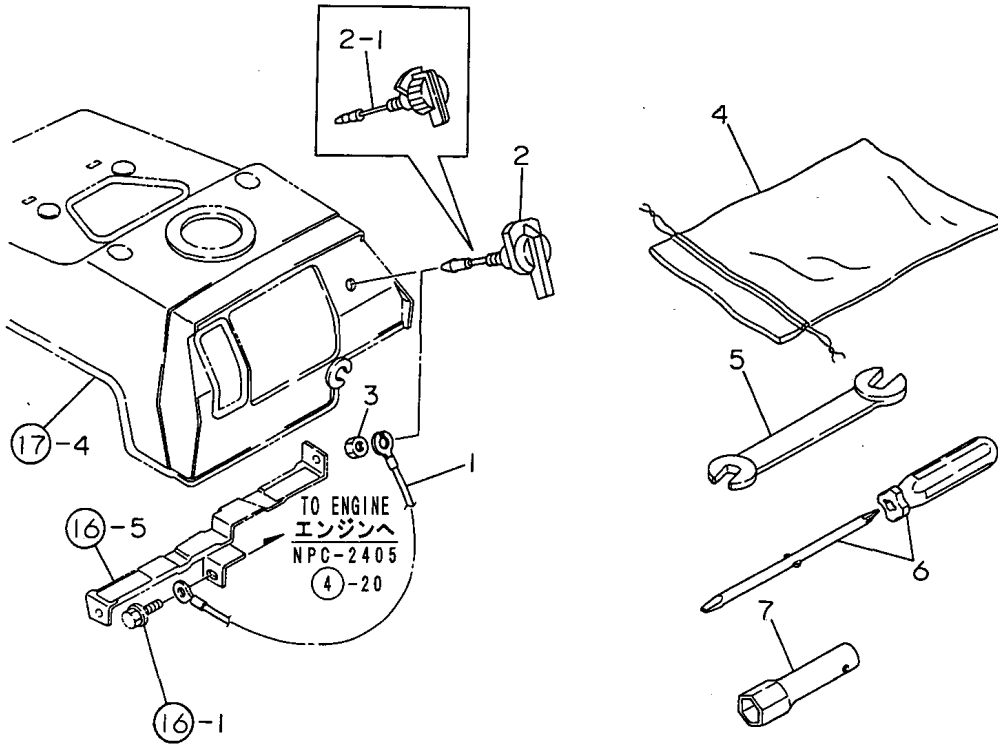
(A)=YK202(C,FL)
(B)=YK282(C)
(C)=

(D)=
(E)=
(F)=

No.	Lev.	Parts No.	Description	Q'ty						I	R
				(A)	(B)	(C)	(D)	(E)	(F)		
1	1	160510-14550	WASHER	4	4						
2	1	1A1750-60140	CAP,PLUG	1	1						
3	1	1A1750-60880	BRACKET,BONNET MTG.	1	1						
4	1	1A1750-63100-1	BONNET	1	1						
5	1	1D2050-65010	BAND,WIRE LOCK	1	1						
6	1	1A1750-90200	SCREW 6X12,COLLAR HD	4	4						
7	1	26367-060002	NUT, M6	4	4						

Fig.18. ELECTRICAL PARTS & TOOLS

18. ELECTRICAL PARTS & TOOLS



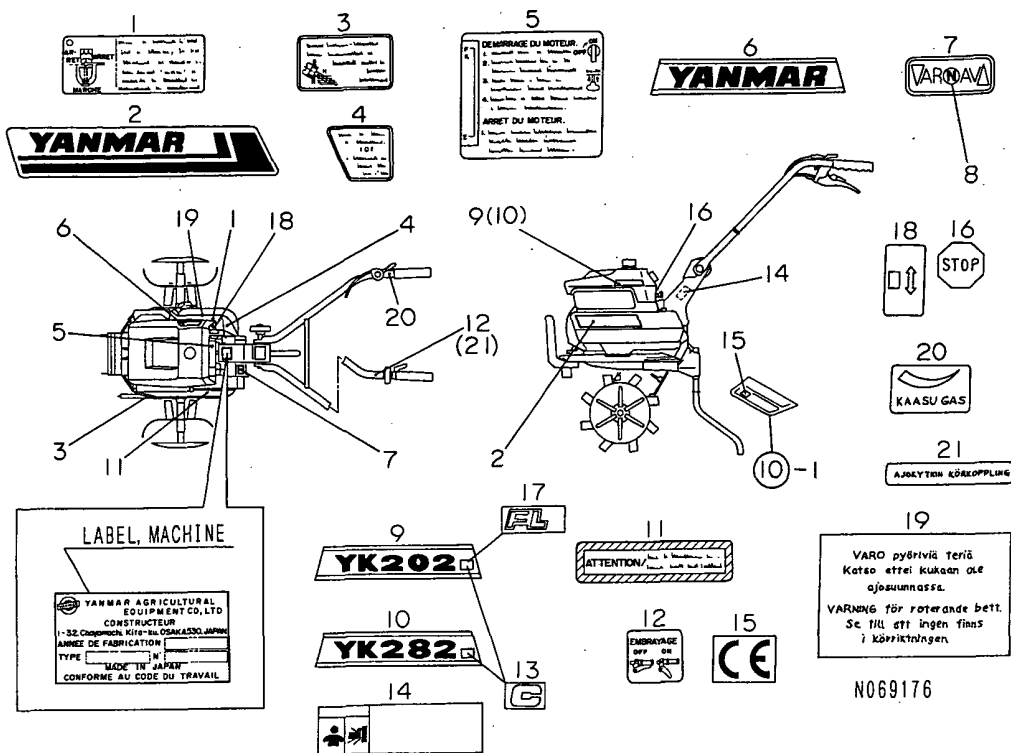
(A)=YK202(C,FL)
(B)=YK282(C)
(C)=

(D)=
(E)=
(F)=

No.	Lev.	Parts No.	Description	Q'ty						I	R
				(A)	(B)	(C)	(D)	(E)	(F)		
1	1	1A1750-40850	CORD,EARTH	1	1						
2	1	1A1470-40900	SWITCH,STOP		1						
2-1	1	1A1750-40800	SWITCH,STOP	1	1						S
			(B=F000271)								
3	1	26757-080002	NUT, LOCK M8	1	1						
4	1	1A1750-83900	TOOL BAG	1	1						
5	1	1A1540-87050	WRENCH 10X12	1	1						
6	1	1D2040-87060	SCREWDRIVER,COMBINAT	1	1						
7	1	28227-191400	WRENCH, BOX 19X140	1	1						

Fig.19. LABELS

19. LABELS



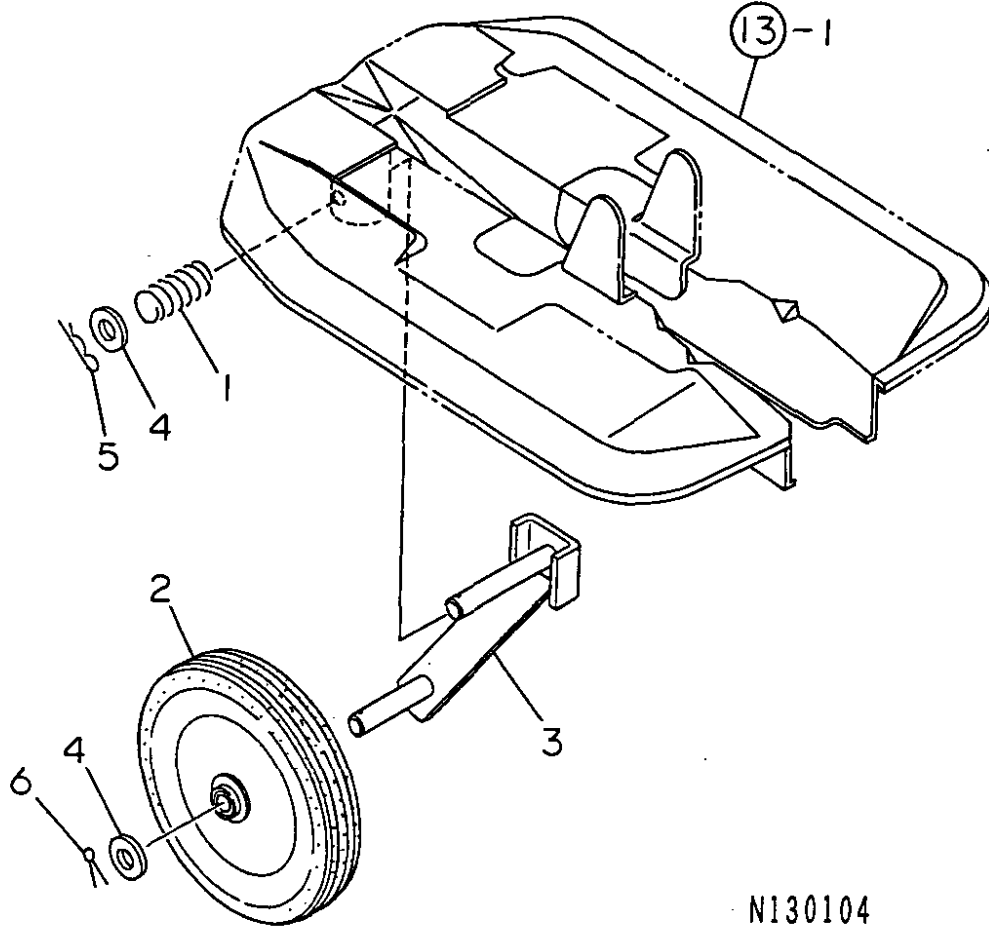
(A)=YK202(C,FL)
(B)=YK282(C)
(C)=

(D)=
(E)=
(F)=

No.	Lev.	Parts No.	Description	Q'ty						I	R
				(A)	(B)	(C)	(D)	(E)	(F)		
1	1	160602-07800	LABEL,FUEL COCK	1	1						
1-1	1	1A2099-86360	LABEL,FUEL COCK	1	1						N
		(A=F000515) (B=F000515)									
2	1	1A1750-80000	MARK,BELT COVER	1	1						
2-1	1	1A1750-80020	MARK,BELT COVER	1	1						N
		(A=F000101) (B=F000101)									
3	1	1A1750-83350	LABEL,ENGINE OIL	1	1						
3-1	1	1A2099-86820	LABEL,ENG.OIL,ITA	1	1						N
		(A=F000515) (B=F000515)									
4	1	1A1750-83360	LABEL,TRANSM.OIL	1	1						
4-1	1	1A2138-86701	LABEL '1',OIL	1	1						N
		(A=F000515) (B=F000515)									
5	1	1A1750-83370	LABEL,CONTROL	1	1						
5-1	1	1A1750-83390	LABEL, RUN-STOP	1	1						N
		(A=F000515) (B=F000515)									
6	1	1A1750-83500	MARK "YANMAR"	1	1						
6-1	1	1A2130-86320	LABEL,FUEL TANK	1	1						N
		(A=F000101) (B=F000101)									
7	1	1A1750-83550	LABEL,CHANGE			1					
8	1	1A1750-83570	MARK "N"			1					
9	1	1A1750-83580	PLATE 202,ORNAMENTAL	1							
10	1	1A1750-83590	PLATE 282,ORNAMENTAL			1					
11	1	1A2099-86200	LABEL,BELT CVR.SAFETY	1	1						
11-1	1	1A2099-86300	LABEL,CVR.SAFETY	1	1						N
		(A=F000515) (B=F000515)									
12	1	1A2099-86210	LABEL,MAIN CLUTCH	1	1						
12-1	1	1A2099-86340	LABEL,MAIN CLUTCH	1	1						N
		(A=F000515) (B=F000515)									
13	1	1A2019-86150	MARK "C"	1	1						
14	1	1A2099-86320	LABEL,CAUTION	1	1						W
		(A=F000515) (B=F000515)									
15	1	1A6150-92550	MARK "CE"	1	1						W
		(A=F003219) (B=F000581)									
15-1	1	1E1061-86610	MARK "CE"	1	1						N
		(A=F003337) (B=F000581)									
15-2	1	1E1061-86610	MARK "CE"	1	1						Z
		(A=F003787) (B=F000661)									
16	1	1A1750-83620	MARK,ENGINE STOP	1							
17	1	1A1479-86210	MARK (FL)	1							
18	1	1A1479-86300	MARK	1							
19	1	1A1479-86310	MARK	1							
20	1	1A1479-86330	MARK	1							
21	1	1A1479-86340	MARK	1							

Fig.20. TIRE(ADDED GROUP)

20. TIRE(ADDED GROUP)



N130104

(A)=YK202(C,FL)
(B)=YK282(C)
(C)=

(D)=
(E)=
(F)=

No.	Lev.	Parts No.	Description	Q'ty						I	R
				(A)	(B)	(C)	(D)	(E)	(F)		
1	1	1A1540-61860	SPRING	1	1						
2	1	1A1750-71200	WHEEL 190,TAIL	1	1						
3	1	1A1860-94100	STAY CMP,FRONT WHEEL	1	1						
4	1	22137-120000	WASHER, 12	2	2						
5	1	22372-120000	PIN, SNAP 12	1	1						
6	1	22417-250180	PIN, COTTER 2.5X18	1	1						

Parts No. Index

Parts No.	Fig. No.	Ref. No.
160510-14550	17	1
160602-07800	19	1
1A1104-28230	9	3
1A1400-16000	4	5
1A1470-20090	5	3
1A1470-40900	18	2
1A1479-86210	19	17
1A1479-86300	19	18
1A1479-86310	19	19
1A1479-86330	19	20
1A1479-86340	19	21
1A1540-43310	10	9
		18
1A1540-46010	10	10
		19
	14	4
1A1540-46020	10	11
		20
1A1540-57800	12	6 - 1
1A1540-61860	20	1
1A1540-62110	16	6
1A1540-62140	16	7
1A1540-62170	16	8
1A1540-87050	18	5
1A1750-10000	3	1
1A1750-10030	2	1
1A1750-10040	3	2
1A1750-10180	4	1
1A1750-10280	15	1
1A1750-10350	15	2
1A1750-10510	2	2
1A1750-10520	2	2 - 1
1A1750-10550	4	2
1A1750-10600	4	3
1A1750-10620	4	4
1A1750-10700	3	3
1A1750-10750	15	3
1A1750-20010	5	1
1A1750-20030	5	2
1A1750-20051	6	1
1A1750-20100	7	1
1A1750-20150	7	4
1A1750-20180	8	1
1A1750-20201	8	2
1A1750-20410	5	4
1A1750-20421	5	5
1A1750-20431	5	6
1A1750-20440	8	3
1A1750-20491	8	4
1A1750-21051	6	3

Parts No.	Fig. No.	Ref. No.
1A1750-21330	9	1
1A1750-21350	9	2
1A1750-30000	10	5
1A1750-30050	10	14
1A1750-30100	10	6
		15
1A1750-32000	10	1
1A1750-40200	11	9
1A1750-40210	11	4
1A1750-40400	11	5
1A1750-40490	12	1
1A1750-40800	18	2 - 1
1A1750-40850	18	1
1A1750-40900	12	3
1A1750-40910	12	4
1A1750-40920	12	5
1A1750-41050	11	1 - 1
1A1750-41500	11	1
1A1750-43550	12	6
1A1750-51100	12	7
1A1750-51150	12	8
1A1750-60140	17	2
1A1750-60291	16	4
1A1750-60500	14	1
1A1750-60800	13	4
1A1750-60850	16	5
1A1750-60880	17	3
1A1750-63100-1	17	4
1A1750-63500	13	1
1A1750-63960	1	2
1A1750-70000	14	6
1A1750-71200	20	2
1A1750-80000	19	2
1A1750-80020	19	2 - 1
1A1750-83350	19	3
1A1750-83360	19	4
1A1750-83370	19	5
1A1750-83390	19	5 - 1
1A1750-83500	19	6
1A1750-83550	19	7
1A1750-83570	19	8
1A1750-83580	19	9
1A1750-83590	19	10
1A1750-83620	19	16
1A1750-83900	18	4
1A1750-90010	1	3
1A1750-90050	16	9
1A1750-90060	11	10
1A1750-90110	1	4
1A1750-90150	11	11

Parts No.	Fig. No.	Ref. No.
1A1750-90150	16	10
1A1750-90200	17	6
1A1760-10400	1	1
1A1760-30200	10	7
		16
1A1760-30300	10	8
		17
1A1860-20060	6	2
1A1860-20101	7	2
1A1860-20151	7	5
1A1860-20251	7	6
1A1860-20280	7	7
1A1860-40500	12	2
1A1860-94100	20	3
1A2019-86150	19	13
1A2099-86200	19	11
1A2099-86210	19	12
1A2099-86300	19	11 - 1
1A2099-86320	19	14
1A2099-86340	19	12 - 1
1A2099-86360	19	1 - 1
1A2099-86820	19	3 - 1
1A2130-86320	19	6 - 1
1A2138-86701	19	4 - 1
1A2190-12110	2	1 - 1
1A2190-13300	3	1 - 1
1A2190-23300	7	4 - 1
1A6150-92550	19	15
1C6020-41060	2	3 - 1
1C6080-51310	11	6
1C6141-47970	14	5
1D2040-48010	16	3
1D2040-87060	18	6
1D2042-41200	16	2
1D2050-65010	17	5
1D3030-22060	16	1
1E1061-86610	19	15 - 1
		15 - 2
1E6102-84970	12	9
1E6150-56040	9	4
1E6250-51790	4	6
1H6020-60170	15	4
22137-060000	12	10
22137-080000	4	7
22137-100000	11	7
22137-120000	20	4
22137-140000	2	8
22157-060000	2	3
	3	4
	10	2

Parts No.	Fig. No.	Ref. No.
22217-060000	2	4
	3	5
	10	3
22217-100000	11	12
22242-000120	4	8
22242-000150	4	9
22372-120000	20	5
22417-200120	12	11
22417-250180	20	6
22487-060260	12	12
22550-040300	2	7
24101-060024	6	4
24101-062014	6	5
	7	3
		8
24101-062044	8	5
24190-100001	9	5
24421-152507	6	6
25122-002900	2	5
26107-060122	15	5
26107-080122	3	6
	15	6
26107-080162	13	5
26107-080202	10	12
		21
26107-080252	5	7
26107-080302	1	5
26107-080352	1	6
26107-080452	5	8
26107-080502	13	2
26107-080602	11	2
26107-080702	4	10
	14	2
26117-060122	10	4
26117-060162	2	6
	3	7
26157-101002	11	8
26367-060002	15	7
	17	7
26367-080002	1	7
	4	11
	5	9
	10	13
		22
	11	3
	13	3
		6
	14	3
26476-060142	9	6
	15	8

Parts No. Index

Parts No.	Fig. No.	Ref. No.
26717-060002	10	23
26757-080002	18	3
28227-191400	18	7

Parts No.	Fig. No.	Ref. No.
-----------	----------	----------

Parts No.	Fig. No.	Ref. No.
-----------	----------	----------

Parts No.	Fig. No.	Ref. No.
-----------	----------	----------